

MICRO SWITCH

A DIVISION OF MINNEAPOLIS-HONEYWELL REGULATOR COMPANY
MINNEAPOLIS, MINNESOTA

FED. MFR. CODE 91929

SWITCH - BASIC

CATALOG LISTING

WZ-2RW822-A2

AVF2000

WZ-2RW822-A2
PAGE 1 OF 1

M

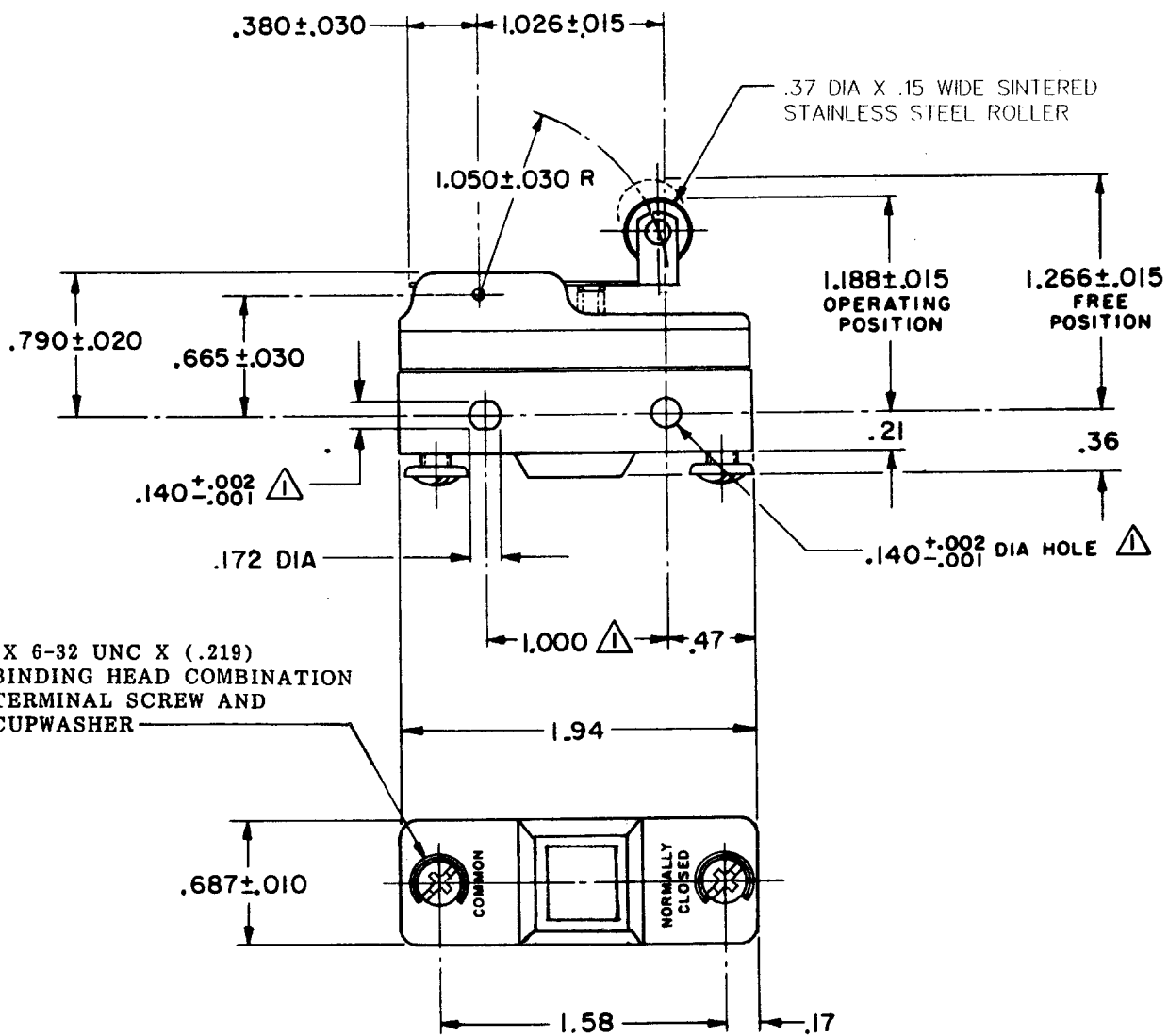
DRAWING NUMBER

ISSUE 13

REVISIONS

A	CO 16736	GCH	19 MAY 62
B	CO34306	RER	18 JUL 75
C	CO 52446	WJM	1 FEB 83
D	CO 70184-H	GRT	2 JUN 92
E	CO-73287-J	CO-	22 NOV 93
F	CO-75204-B	WLS	1 FEB 94
G	CO-77591	DAW	22 JUN 94
H	CO 79125	SAD	30 NOV 94
J	CO93346	DLT	2 SEP 98
K	0018449	TOP	18 FEB 06

FORMTEK
FO-80376



NOTE -
▲ MOUNTING HOLES WILL ACCEPT PINS OR SCREWS OF .139 MAX DIA ON 1.000 ±.002 CENTERS

THIS DRAWING COVERS A PROPRIETARY ITEM AND IS THE PROPERTY OF MICRO SWITCH, A DIVISION OF MINNEAPOLIS-HONEYWELL REGULATOR CO. THIS DRAWING IS NOT TO BE COPIED OR USED WITHOUT THE APPROVAL OF MICRO SWITCH.

CHARACTERISTICS	
OPERATING FORCE	----- 6 OZ MAX
RELEASE FORCE	----- 1 1/2 OZ MIN
DIFFERENTIAL TRAVEL	----- .003 - .020
OVERTRAVEL	----- .094 MIN

ELECTRICAL DATA	
CONTACT ARRANGEMENT S P N C	
-L74-	15 A-125, 250, OR 480 VAC; 2A-600 VAC 1/2 A-125 VDC; 1/4 A-250 VDC 1/8 HP-125 VAC; 1/4 HP-250 VAC
-L288-	
-L306-	
-L315-	16A 250V ~ T85 5E4

SCALE FULL	
DO NOT SCALE PRINT	
UNLESS OTHERWISE SPECIFIED DIMENSIONS ARE IN INCHES	
TOLERANCES ARE:	
ONE PLACE (.9)	±.030
TWO PLACE (.00)	±.015
THREE PLACE (.000)	±.005
ANGLES	±
WEIGHT .076 LB	

REPLACES
RELEASE NO.
CHECK
18 FEB 06
RJ
CHECK
21 SEPT 62
DAW
CHECK
19 MAY 62